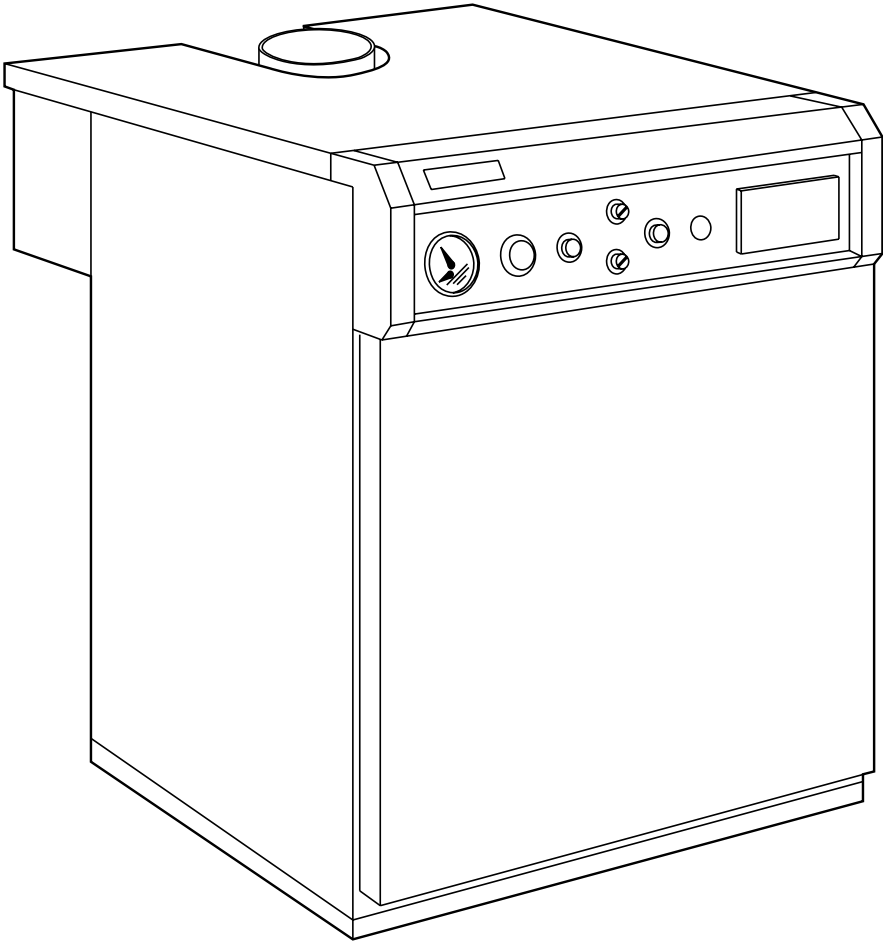




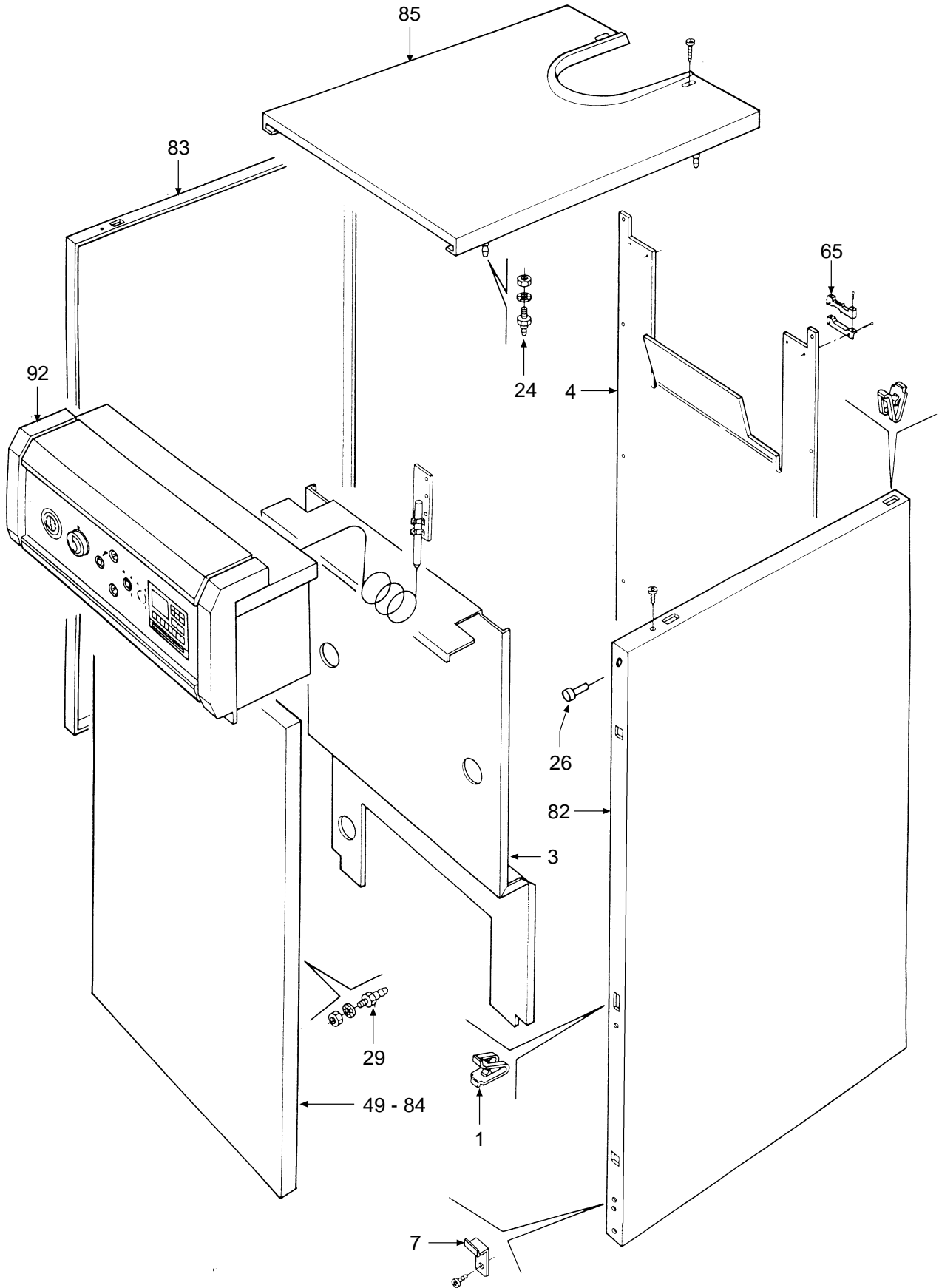
PEGASUS F2

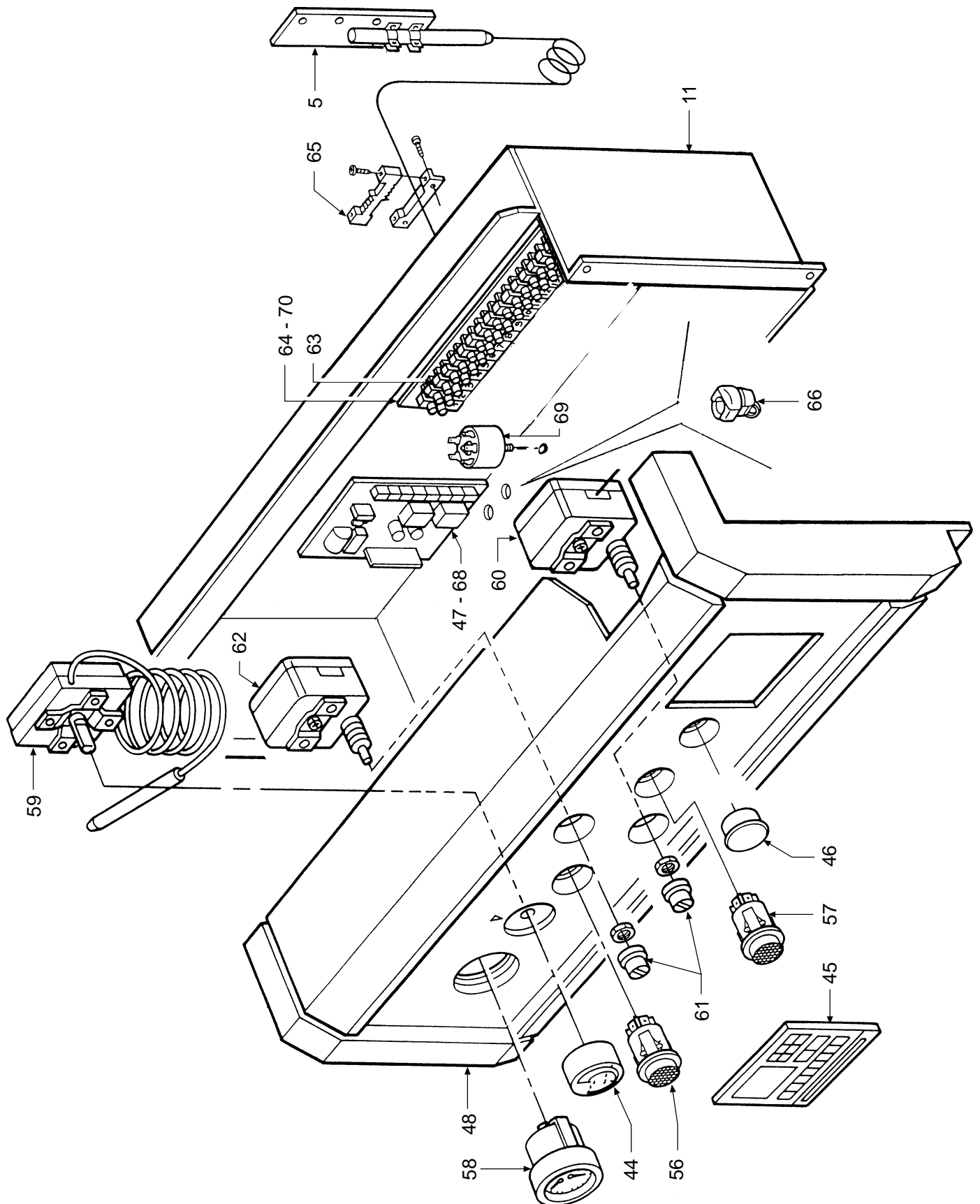
- LISTA PEZZI DI RICAMBIO
- SPARE PART LIST
- ERSATZSTEILE
- LISTE PIECES DETACHES
- LISTA PIEZAS DE REPUESTO

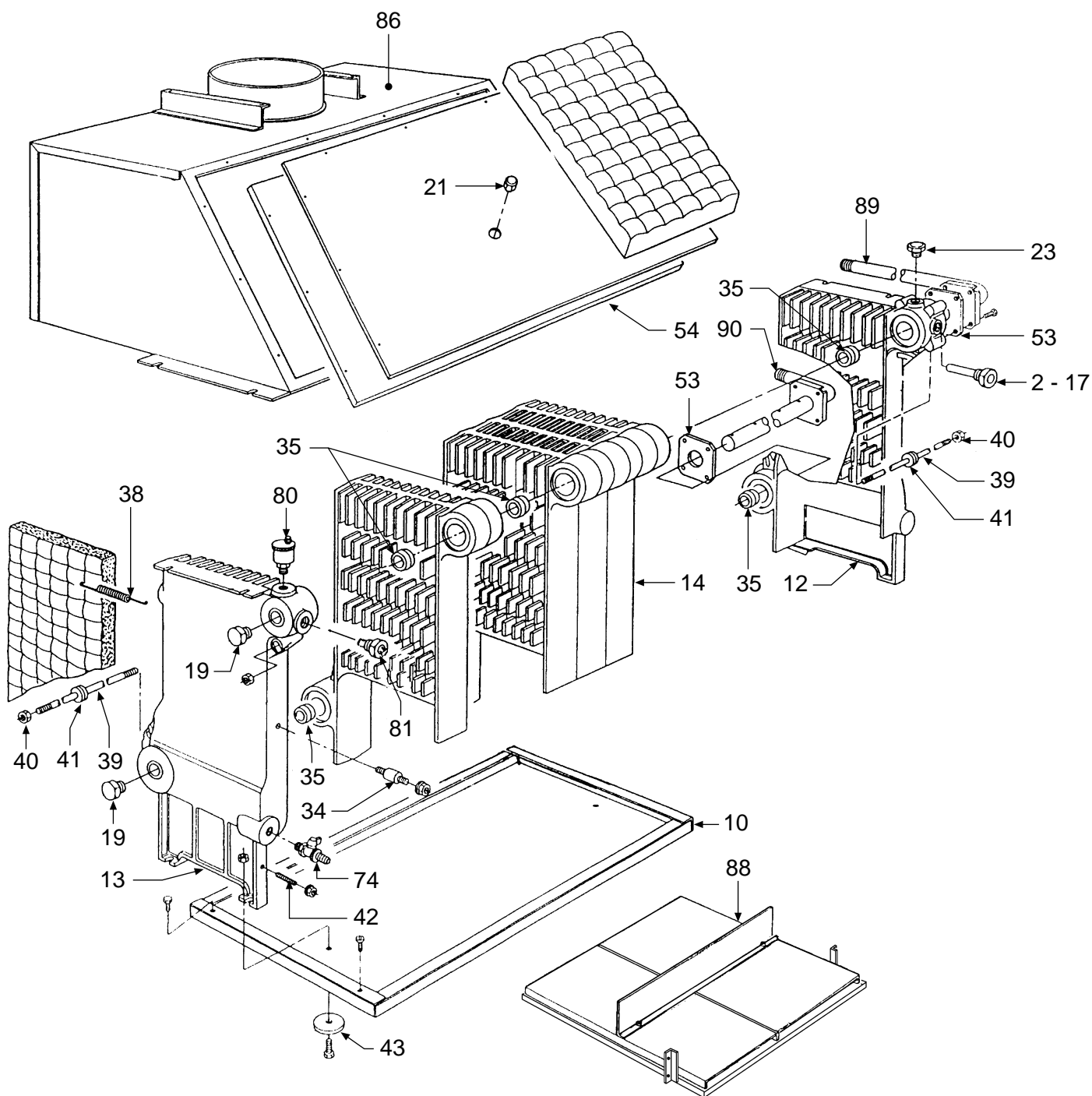


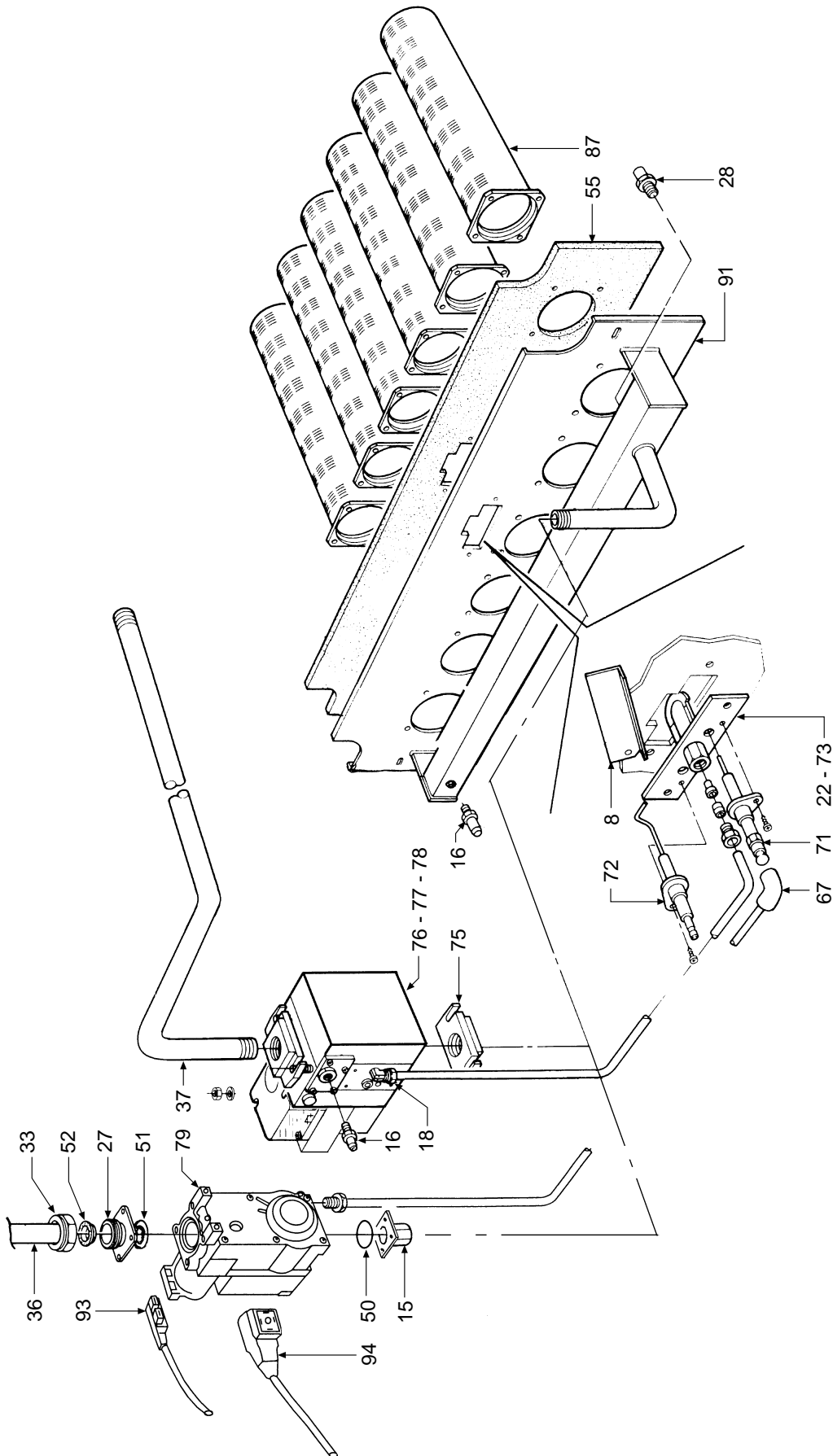
Appr. nr. A95.03 A - CE 0085 AQ 0765

CODICE	EDIZIONE	MERCATO	VISTO
30R0242/1	07 - 99	GB	









POS.	Q.	CODICE	DESCRIZIONE	Mod.	51	68	85	102
1		3100021/0	Pin coupling spring		•	•	•	•
2		3100026/0	Spring for bulbs		•	•	•	•
3		3113897/0	Front wall		•			
3		3113898/0	Front wall			•		
3		3113899/0	Front wall				•	
3		3113900/0	Front wall					•
4		3113927/0	Rear wall, painted "white"		•			
4		3113928/0	Rear wall, painted "white"			•		
4		3113929/0	Rear wall, painted "white"				•	
4		3113930/0	Rear wall, painted "white"					•
5		3120728/0	Support plate, flue gases thermostat		•	•	•	•
7		3120877/0	Side panel bottom support		•	•	•	•
8		3211155/0	Inspection window for combustion chamber door		•	•	•	•
10		3291108/0	Boiler basin		•			
10		3291109/0	Boiler basin			•		
10		3291110/0	Boiler basin				•	
10		3291111/0	Boiler basin					•
11		3291168/0	Wiring protection plate		•			
11		3291169/0	Wiring protection plate			•		
11		3291170/0	Wiring protection plate				•	
11		3291171/0	Wiring protection plate					•
12		3300532/0	Right element, finished		•	•	•	•
13		3300533/0	Left element, finished		•	•	•	•
14		3300534/0	Intermediate element, finished		•	•	•	•
15		3330103/0	Straight flange, Ø 3/4"		•	•		
16		3340028/0	Pressure test point, 1/8" M conical fitting		•	•	•	•
17		3340069/0	Bulbs sheath		•	•	•	•
18		3340091/0	Elbow				•	•
19		3360132/0	Plug, 1/2"		•	•	•	•
21		3500615/0	Plug		•	•	•	•
22		3370079/0	Inyector G24.1 for Polidoro pilot burner (LPG)		•	•	•	•
23		3400061/0	Plug 1/2"		•	•	•	•
24		3400064/0	Pin for coupling		•	•	•	•
26		3400088/0	Pin for slot-type coupling, M5		•	•	•	•
27		3400879/1	Flange and support		•	•		
28		3400928/0	Inyector, Ø 3.50 (natural gaz)		•	•	•	•
28		3400967/0	Inyector, Ø 2.15 (LPG)		•	•	•	•
29		3401036/0	Pin for coupling		•	•	•	•
33		3401109/0	Union nut, 1"		•	•		
34		3401125/0	Front wall spacer		•	•	•	•
35		3420400/0	Cone insert		•	•	•	•
36		3422375/0	Gas inlet pipe		•	•		
37		3422377/0	Gas inlet pipe				•	•
38		3430022/0	Insulation fixing spring		•	•	•	•
39		3440292/0	Tie rod, M12 x 414			•		
39		3440347/0	Tie rod, M12 x 500				•	
39		3440364/0	Tie rod, M12 x 320		•			
39		3440365/0	Tie rod, M12 x 575					•

POS.	Q.	CODICE	DESCRIZIONE	Mod.	51	68	85	102
40		3450091/0	Thick nut, M12		•	•	•	•
41		3450207/0	Spring		•	•	•	•
42		3450269/0	Threaded bar, M6		•	•	•	•
43		3500060/0	Supporting foot		•	•	•	•
44		3500259/0	Thermostat adjusting knob, "white"		•	•	•	•
45		3500339/0	Central hole plug, "white"		•	•	•	•
46		3500396/0	Plug, ABS Ø 25		•	•	•	•
47		3500496/0	Honeywell board ABS support		•	•	•	•
48		3500550/0	Control panel		•			
48		3500551/0	Control panel			•		
48		3500552/0	Control panel				•	
48		3500553/0	Control panel					•
49		3510005/0	Rubber spacer		•	•	•	•
50		3510008/0	Rubber O-Ring 2137		•	•		
51		3510034/2	Gasket, Øe 34		•	•		
52		3510059/0	Gasket with guide, 27.5		•	•		
53		3510101/0	Sealing gasket		•	•	•	•
54		3531905/0	Draft diverter cover insulation		•			
54		3531906/0	Draft diverter cover insulation			•		
54		3531907/0	Draft diverter cover insulation				•	
54		3531908/0	Draft diverter cover insulation					•
55		3531965/0	Combustion chamber door insulation		•			
55		3531966/0	Combustion chamber door insulation			•		
55		3531967/0	Combustion chamber door insulation				•	
55		3531968/0	Combustion chamber door insulation					•
56		3610036/0	Double-pole switch		•	•	•	•
57		3610037/0	Unipolar pushbutton		•	•	•	•
58		3640079/0	Thermohydrometer		•	•	•	•
59		3640121/0	Thermostat TR2 540499 IMIT		•	•	•	•
60		3640145/0	Thermostat LS1 capillary 1500 110°		•	•	•	•
61		3640178/0	Safety thermostat cap, "white"		•	•	•	•
62		3640181/0	Thermostat LS1 541666 IMIT		•	•	•	•
63		3650190/0	12- stud terminal block		•	•	•	•
64		3650357/1	Insulating plate, 12-stud terminal block		•	•	•	•
65		3650363/1	Dual cable clamp		•	•	•	•
66		3650411/0	Cable clamp		•	•	•	•
67		3650554/0	Igniter plug fitting		•	•	•	•
68		3650599/0	Electronic control unit, S 4561 B 1039 Honeywell		•	•	•	•
69		3650612/0	Anti-noise filter		•	•	•	•
70		3650618/0	Insulating plate, 12-stud terminal block		•	•	•	•
71		3670226/0	Pilot burner spark electrode		•	•	•	•
72		3670227/0	Pilot burner flame detection electrode		•	•	•	•
73		3670238/0	Pilot burner		•	•	•	•
74		3680049/0	Plug drain cock, 3/4"		•	•	•	•
75		3680215/0	3/4" fitting flange				•	•
76		3680217/0	Black pin for Dungs valve				•	•
77		3680218/0	Grey pin for Dungs valve				•	•
78		3680241/0	Valve, MB - DLE 407B01 S50 3/4" Dungs					•

