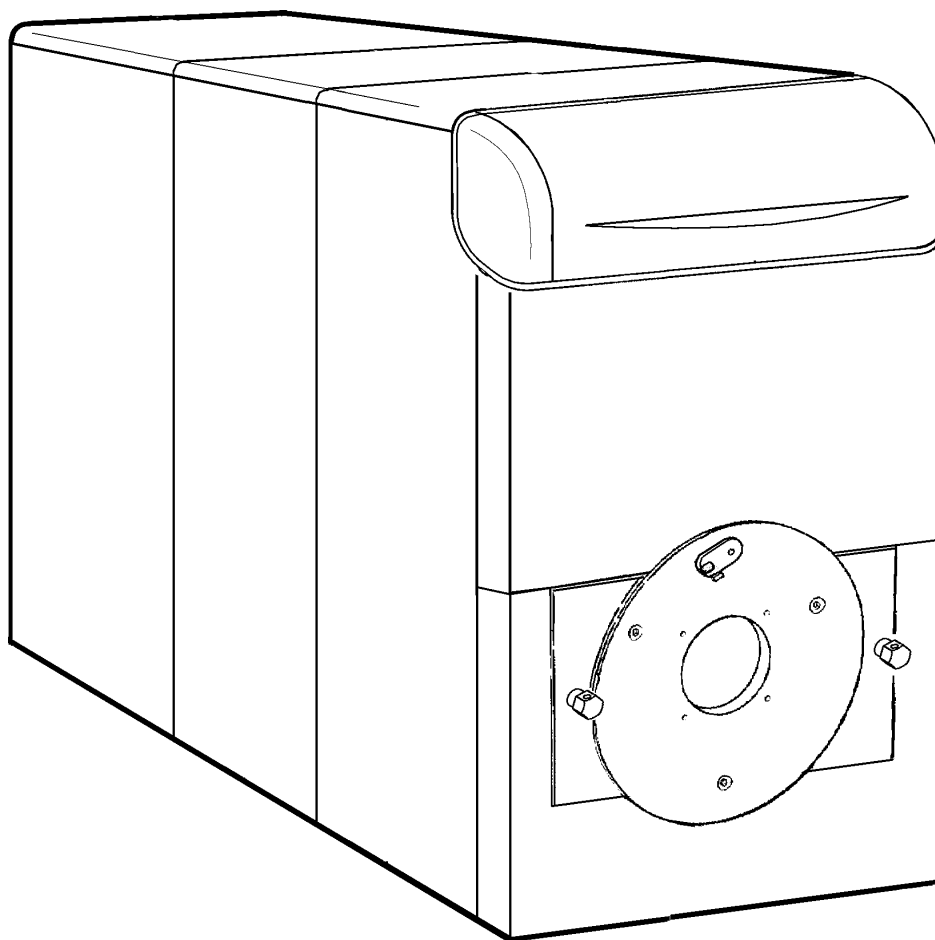


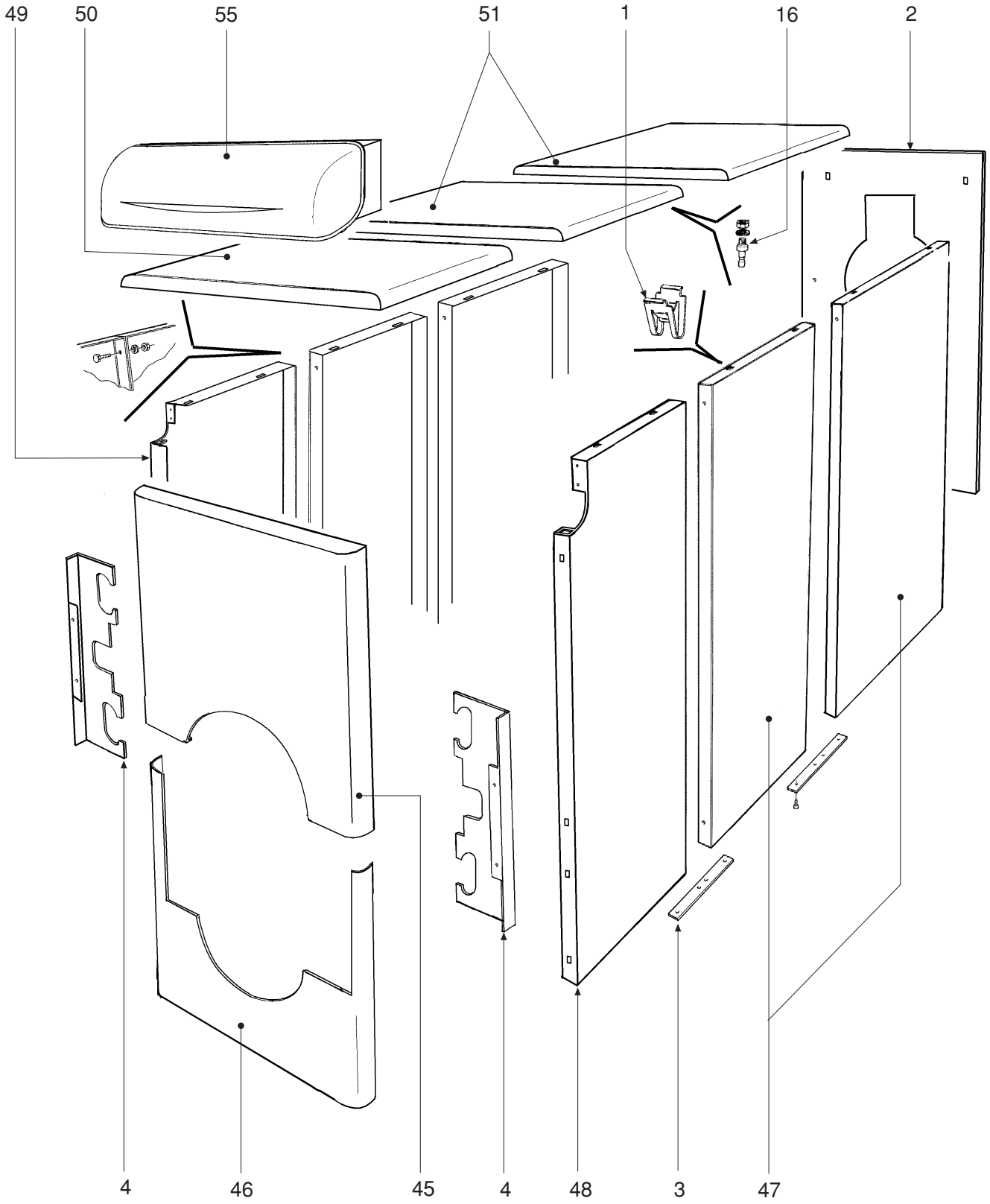
# FERROLI

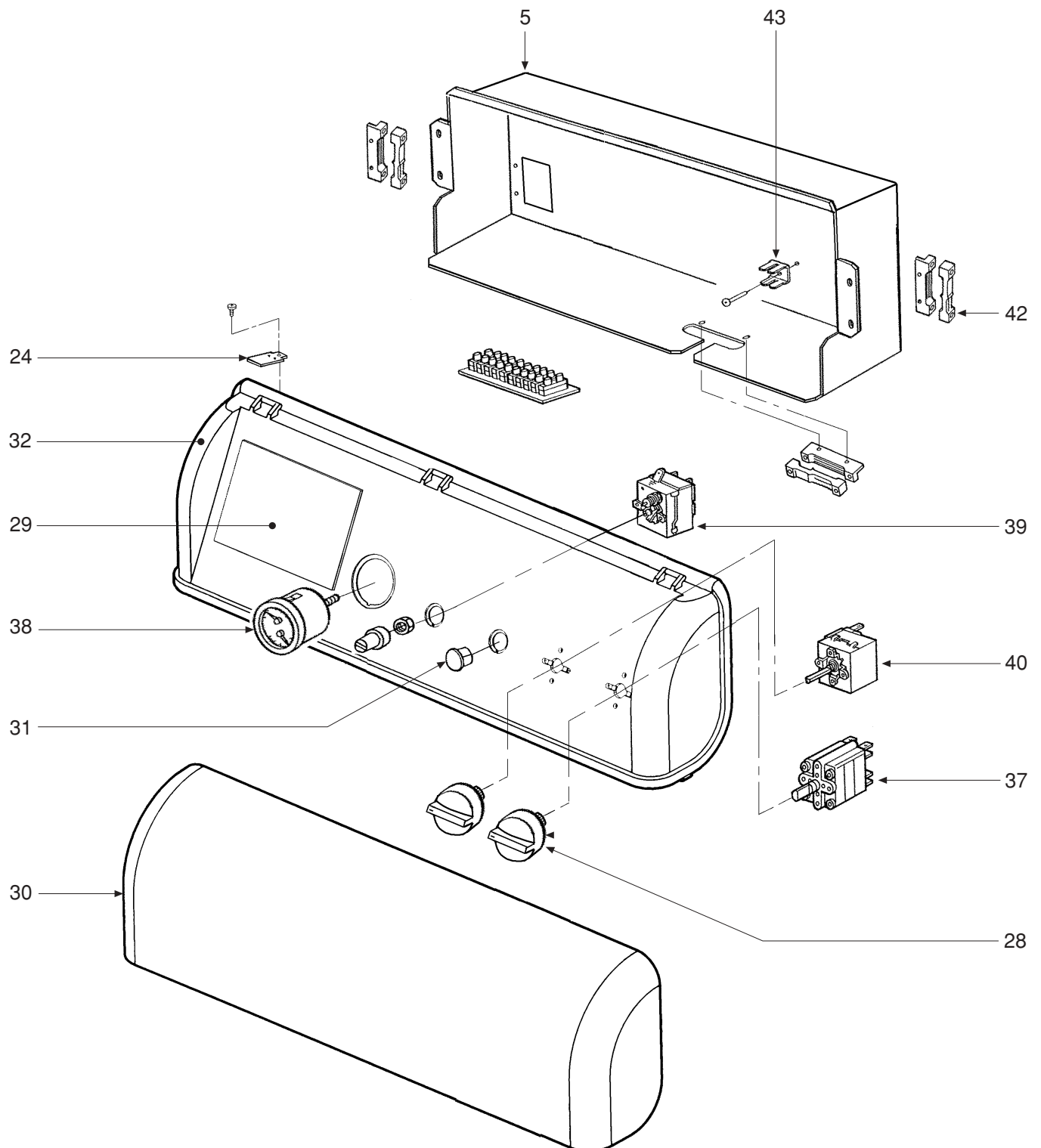
## GN2 N

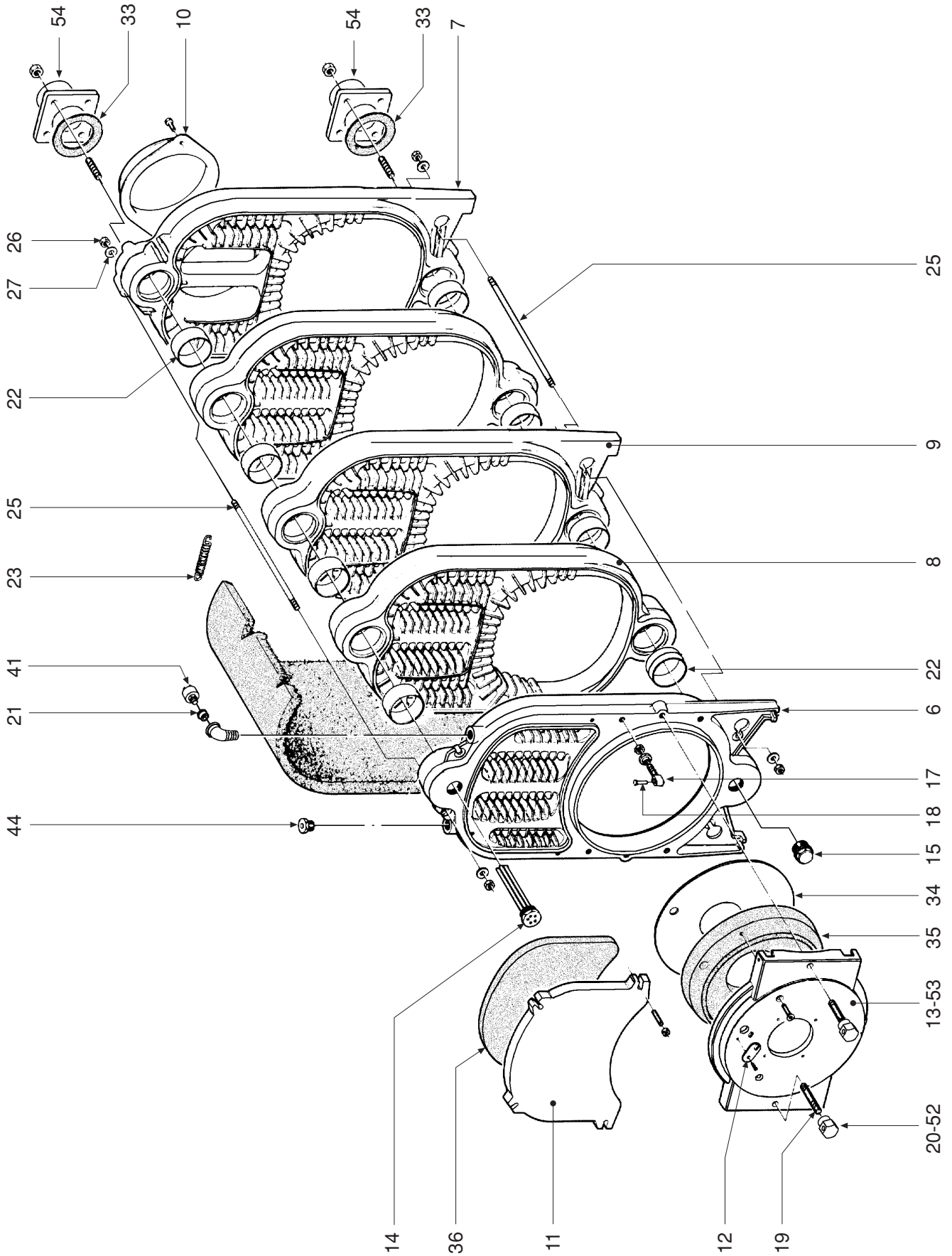
- LISTA PEZZI DI RICAMBIO
- SPARE PART LIST
- ERSATZSTEILE
- LIJST ONDERDELEN
- LISTE PIECES DETACHES
- LISTA PIEZAS DE REPUESTO



CODICE	EDIZIONE	MERCATO	VISTO
30R0582/0	01 - 03	UN	







POS.	CODE	DESCRIPTION	5 el.	6 el.	7 el.	8 el.	9 el.	10 el.	11 el.	12 el.	13 el.	14 el.
1	31000210	Pin coupling spring	.	.	.	.	.	.	.	.	.	.
2	31103050	Rear wall	.	.	.	.	.	.	.	.	.	.
3	31207470	Bracket, side panel fixing					.	.	.	.	.	.
4	31214510	Bracket, side panel fixing	.	.	.	.	.	.	.	.	.	.
5	32914870	Wiring protection plate	.	.	.	.	.	.	.	.	.	.
6	33004770	Front element, finished	.	.	.	.	.	.	.	.	.	.
7	33004780	Rear element, finished	.	.	.	.	.	.	.	.	.	.
8	33004790	Intermediate element, finished	.	.	.	.	.	.	.	.	.	.
9	33004800	Intermediate element with feet, finished				.	.	.	.	.	.	.
10	33100560	Smokebox collar	.	.	.							
10	33100680	Smokebox collar				.	.	.	.	.	.	.
11	33202141	Top cleaning door	.	.	.	.	.	.	.	.	.	.
12	33202150	Inspection door	.	.	.	.	.	.	.	.	.	.
13	33202170	Boiler burner door, finished	.	.	.							
13	33202190	Boiler burner door, finished				.	.	.	.	.	.	.
14	33400811	Sheath	.	.	.	.	.	.	.	.	.	.
15	33601320	Plug, 1" 1/4	.	.	.	.	.	.	.	.	.	.
16	34000640	Pin for coupling	.	.	.	.	.	.	.	.	.	.
17	34008930	pin for door hinges, M16	.	.	.	.	.	.	.	.	.	.
18	34008940	Pin	.	.	.	.	.	.	.	.	.	.
19	34010230	Pin for handle	.	.	.	.	.	.	.	.	.	.
20	34010671	Door handle	.	.	.	.	.	.	.	.	.	.
21	34011371	1/2" to 1/4" male-female reducer	.	.	.	.	.	.	.	.	.	.
22	34205081	Cone insert Øe 100,22 Øi 91,5 L=45	.	.	.	.	.	.	.	.	.	.
23	34300220	Insulation fixing spring	.	.	.	.	.	.	.	.	.	.
24	34300470	Control panel locking spring	.	.	.	.	.	.	.	.	.	.
25	34403470	Tie rod, M12 x 500	.									
25	34403480	Tie rod, M12 x 610		.								
25	34403490	Tie rod, M12 x 720			.							
25	34403500	Tie rod, M12 x 830				.						
25	34403510	Tie rod, M12 x 940					.					
25	34403520	Tie rod, M12 x 1050						.				
25	34403530	Tie rod, M12 x 1180							.			
25	34403540	Tie rod, M12 x 1290								.		
25	34403550	Tie rod, M12 x 1400									.	
25	34403560	Tie rod, M12 x 1510										.
26	34500910	Thick nut, M12	.	.	.	.	.	.	.	.	.	.
27	34502070	Spring	.	.	.	.	.	.	.	.	.	.
28	35008000	Control panel instruments knob	.	.	.	.	.	.	.	.	.	.
29	35008010	Control unit hole plug	.	.	.	.	.	.	.	.	.	.
30	35008180	Control panel cover	.	.	.	.	.	.	.	.	.	.
31	35008190	Hole plug	.	.	.	.	.	.	.	.	.	.
32	35009140	Control panel, Lg.600	.	.	.	.	.	.	.	.	.	.
33	35100180	Gasket for flange	.	.	.	.	.	.	.	.	.	.
34	35316440	Door internal side insulation	.	.	.	.	.	.	.	.	.	.
35	35316450	Burner door insulation	.	.	.	.	.	.	.	.	.	.
36	35316461	Cleaning door insulation	.	.	.	.	.	.	.	.	.	.
37	36100440	Double-pole switch	.	.	.	.	.	.	.	.	.	.

POS.	CODE	DESCRIPTION	5 el.	6 el.	7 el.	8 el.	9 el.	10 el.	11 el.	12 el.	13 el.	14 el.
38	36400210	Thermohydrometer	.	.	.	.	.	.	.	.	.	.
39	36401450	Thermostat LS1 capillary 1500 110°	.	.	.	.	.	.	.	.	.	.
40	36401880	2-stage regulating thermostat	.	.	.	.	.	.	.	.	.	.
41	36401930	Water pressure switch, 1/4"	.	.	.	.	.	.	.	.	.	.
42	36503631	Dual cable clamp	.	.	.	.	.	.	.	.	.	.
43	36505720	four-tab earthing rivet	.	.	.	.	.	.	.	.	.	.
44	36901140	Check valve, 1/2" for pressure gauge	.	.	.	.	.	.	.	.	.	.
45	37038700	Top front panel	.	.	.	.	.	.	.	.	.	.
46	37038710	Bottom front panel,	.	.	.	.	.	.	.	.	.	.
47	37038720	Reversible side panel complete (L. 440)					.	.	.	.	.	.
48	37038730	Front right side panel, complete (L. 604)	.				.				.	
48	37038740	Front right side panel, complete (L. 714)		.				.				.
48	37038750	Front right side panel, complete (L. 824)			.				.			
48	37038760	Front right side panel, complete (L. 934)				.				.		
49	37038770	Front left side panel, complete (L: 604)	.				.				.	
49	37038780	Front left side panel, complete (L: 714)		.				.				.
49	37038790	Front left side panel, complete (L: 824)			.				.			
49	37038800	Front left side panel, complete (L: 934)				.				.		
50	37038810	Complete cover (L. 604)	.				.				.	
50	37038820	Complete cover (L. 714)		.				.				.
50	37038830	Complete cover (L. 824)			.				.			
50	37038840	Complete cover (L. 934)				.				.		
51	37038850	Complete cover (L. 440)					.	.	.	.	.	.
52	37511630	Complete door handle	.	.	.	.	.	.	.	.	.	.
53	38008670	Burner door, complete	.									
53	38008680	Burner door, complete		.	.	.	.	.	.	.	.	.
54	38443650	Flange	.	.	.	.	.	.	.	.	.	.
55	38515080	Wiring, complete set	.	.	.	.	.	.	.	.	.	.

POS.	CODICE	DESCRIZIONE	5 el.	6 el.	7 el.	8 el.	9 el.	10 el.	11 el.	12 el.	13 el.	14 el.
1	3100210	Molletta innesto piolini	•	•	•	•	•	•	•	•	•	•
2	31103050	Parete posteriore	•	•	•	•	•	•	•	•	•	•
3	31207470	Staffa fissaggio fianchi					•	•	•	•	•	•
4	31214510	Staffa fissaggio fianchi	•	•	•	•	•	•	•	•	•	•
5	32914870	Lamiera protezione cablaggio	•	•	•	•	•	•	•	•	•	•
6	33004770	Elemento anteriore finito	•	•	•	•	•	•	•	•	•	•
7	33004780	Elemento posteriore finito	•	•	•	•	•	•	•	•	•	•
8	33004790	Elemento intermedio finito	•	•	•	•	•	•	•	•	•	•
9	33004800	Elemento intermedio con piedini finito				•	•	•	•	•	•	•
10	33100560	Collare camera fumo	•	•	•							
10	33100680	Collare camera fumo				•	•	•	•	•	•	•
11	33202141	Porta superiore pulizia	•	•	•	•	•	•	•	•	•	•
12	33202150	Portellino spia	•	•	•	•	•	•	•	•	•	•
13	33202170	Porta bruciatore caldaia finita	•	•	•							
13	33202190	Porta bruciatore caldaia finita				•	•	•	•	•	•	•
14	33400811	Guaina	•	•	•	•	•	•	•	•	•	•
15	33601320	Tappo 1" 1/4	•	•	•	•	•	•	•	•	•	•
16	34000640	Piolino per innesto	•	•	•	•	•	•	•	•	•	•
17	34008930	Perno M16 per cerniere porte	•	•	•	•	•	•	•	•	•	•
18	34008940	Perno	•	•	•	•	•	•	•	•	•	•
19	34010230	Perno per maniglia	•	•	•	•	•	•	•	•	•	•
20	34010671	Maniglia porta	•	•	•	•	•	•	•	•	•	•
21	34011371	Riduzione M.F. 1/2"+1/4"	•	•	•	•	•	•	•	•	•	•
22	34205081	Bicono Øe 100,22 Øi 91,5 L=45	•	•	•	•	•	•	•	•	•	•
23	34300220	Molla fissaggio isolante	•	•	•	•	•	•	•	•	•	•
24	34300470	Molla bloccaggio cruscotto	•	•	•	•	•	•	•	•	•	•
25	34403470	Tirante M12 x 500	•									
25	34403480	Tirante M12 x 610		•								
25	34403490	Tirante M12 x 720			•							
25	34403500	Tirante M12 x 830				•						
25	34403510	Tirante M12 x 940					•					
25	34403520	Tirante M12 x 1050						•				
25	34403530	Tirante M12 x 1180							•			
25	34403540	Tirante M12 x 1290								•		
25	34403550	Tirante M12 x 1400									•	
25	34403560	Tirante M12 x 1510										•
26	34500910	Dado alto M12	•	•	•	•	•	•	•	•	•	•
27	34502070	Molla	•	•	•	•	•	•	•	•	•	•
28	35008000	Manopola strumenti cruscotto	•	•	•	•	•	•	•	•	•	•
29	35008010	Tappo copriforo centralina	•	•	•	•	•	•	•	•	•	•
30	35008180	Coperchio cruscotto	•	•	•	•	•	•	•	•	•	•
31	35008190	Tappo copriforo	•	•	•	•	•	•	•	•	•	•
32	35009140	Cruscotto Lg.600	•	•	•	•	•	•	•	•	•	•
33	35100180	Guarnizione per flange	•	•	•	•	•	•	•	•	•	•
34	35316440	Isolante interno porta	•	•	•	•	•	•	•	•	•	•
35	35316450	Isolante porta bruciatore	•	•	•	•	•	•	•	•	•	•
36	35316461	Isolante porta pulizia	•	•	•	•	•	•	•	•	•	•
37	36100440	Interruttore bipolare	•	•	•	•	•	•	•	•	•	•

POS.	CODICE	DESCRIZIONE	5 el.	6 el.	7 el.	8 el.	9 el.	10 el.	11 el.	12 el.	13 el.	14 el.
38	36400210	Termoidrometro	.	.	.	.	.	.	.	.	.	.
39	36401450	Termostato LS1 capillare 1500 110°	.	.	.	.	.	.	.	.	.	.
40	36401880	Termostato regolazione 2 stadi	.	.	.	.	.	.	.	.	.	.
41	36401930	Pressostato acqua 1/4"	.	.	.	.	.	.	.	.	.	.
42	36503631	Pressacavo doppio	.	.	.	.	.	.	.	.	.	.
43	36505720	Rivetto di massa a 4 linguette	.	.	.	.	.	.	.	.	.	.
44	36901140	Valvola di ritegno 1/2" per manometro	.	.	.	.	.	.	.	.	.	.
45	37038700	Pannello anteriore superiore	.	.	.	.	.	.	.	.	.	.
46	37038710	Pannello anteriore inferiore	.	.	.	.	.	.	.	.	.	.
47	37038720	Fianco reversibile completo (L. 440)	.	.	.	.	.	.	.	.	.	.
48	37038730	Fianco anteriore destro completo (L. 604)	.	.	.	.	.	.	.	.	.	.
48	37038740	Fianco anteriore destro completo (L. 714)	.	.	.	.	.	.	.	.	.	.
48	37038750	Fianco anteriore destro completo (L. 824)	.	.	.	.	.	.	.	.	.	.
48	37038760	Fianco anteriore destro completo (L. 934)	.	.	.	.	.	.	.	.	.	.
49	37038770	Fianco anteriore sinistro completo (L: 604)	.	.	.	.	.	.	.	.	.	.
49	37038780	Fianco anteriore sinistro completo (L: 714)	.	.	.	.	.	.	.	.	.	.
49	37038790	Fianco anteriore sinistro completo (L: 824)	.	.	.	.	.	.	.	.	.	.
49	37038800	Fianco anteriore sinistro completo (L: 934)	.	.	.	.	.	.	.	.	.	.
50	37038810	Coperchio completo (L. 604)	.	.	.	.	.	.	.	.	.	.
50	37038820	Coperchio completo (L. 714)	.	.	.	.	.	.	.	.	.	.
50	37038830	Coperchio completo (L. 824)	.	.	.	.	.	.	.	.	.	.
50	37038840	Coperchio completo (L. 934)	.	.	.	.	.	.	.	.	.	.
51	37038850	Coperchio completo (L. 440)	.	.	.	.	.	.	.	.	.	.
52	37511630	Maniglia completa porta	.	.	.	.	.	.	.	.	.	.
53	38008670	Porta bruciatore completa	.	.	.	.	.	.	.	.	.	.
53	38008680	Porta bruciatore completa	.	.	.	.	.	.	.	.	.	.
54	38443650	Flangia	.	.	.	.	.	.	.	.	.	.
55	38515080	Cablaggio completo	.	.	.	.	.	.	.	.	.	.