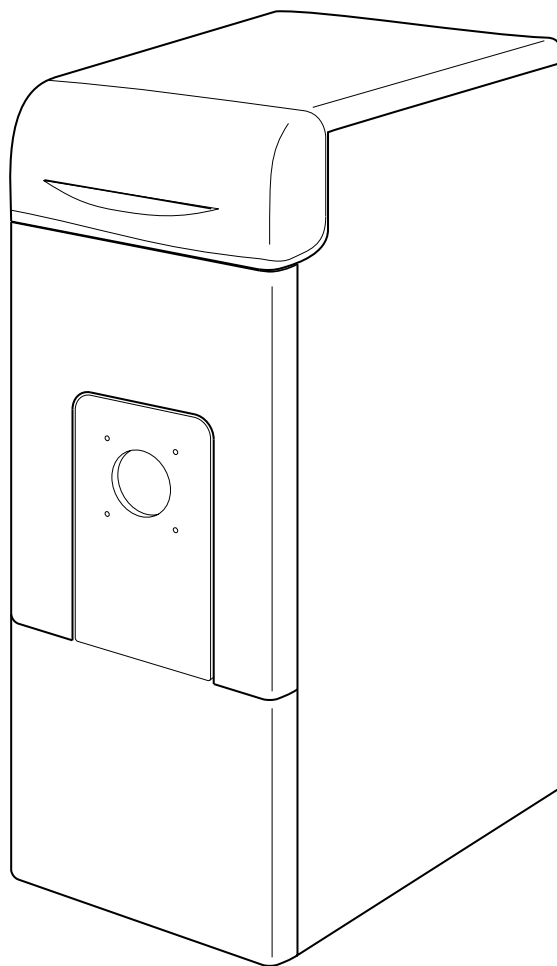


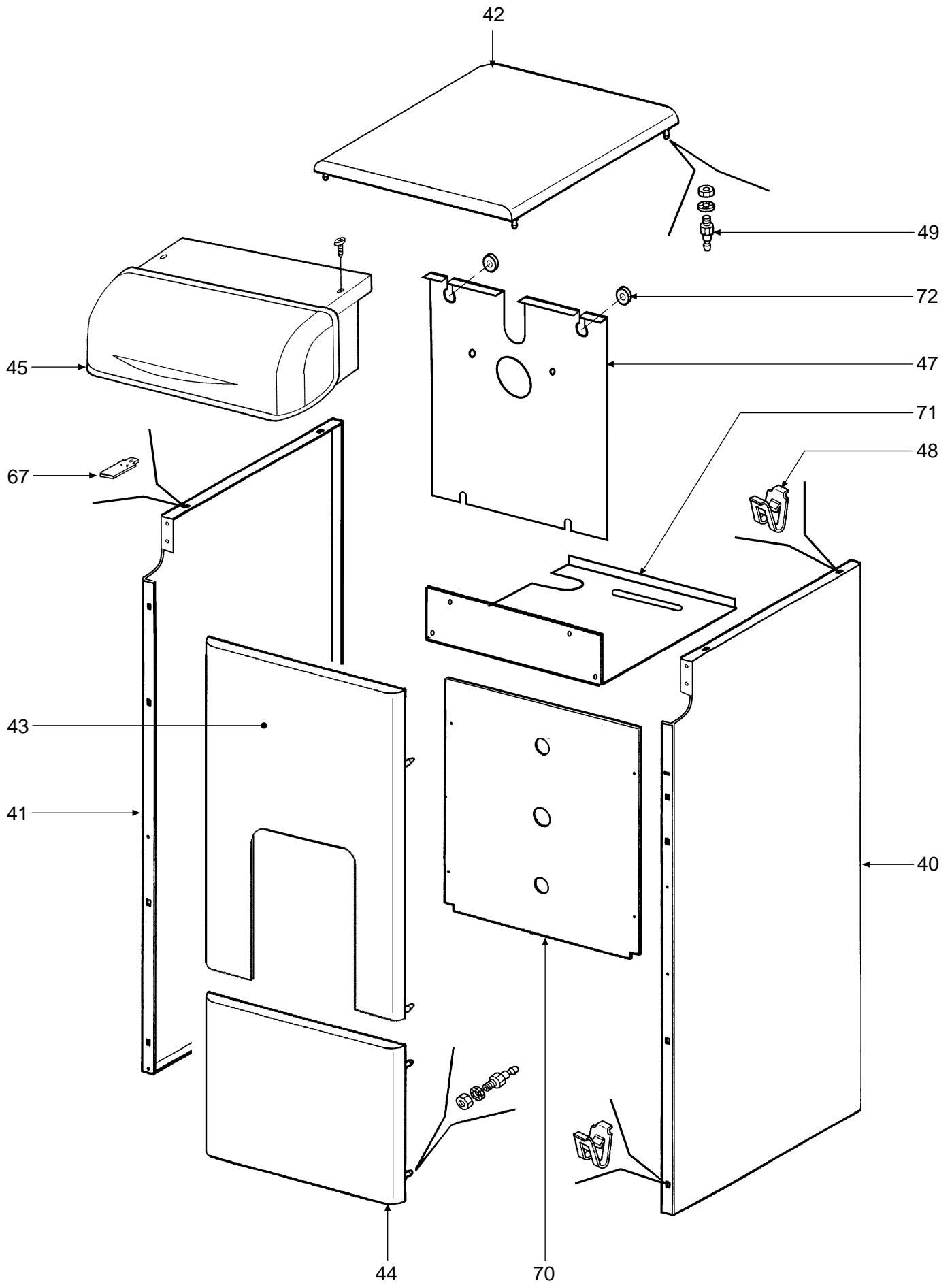


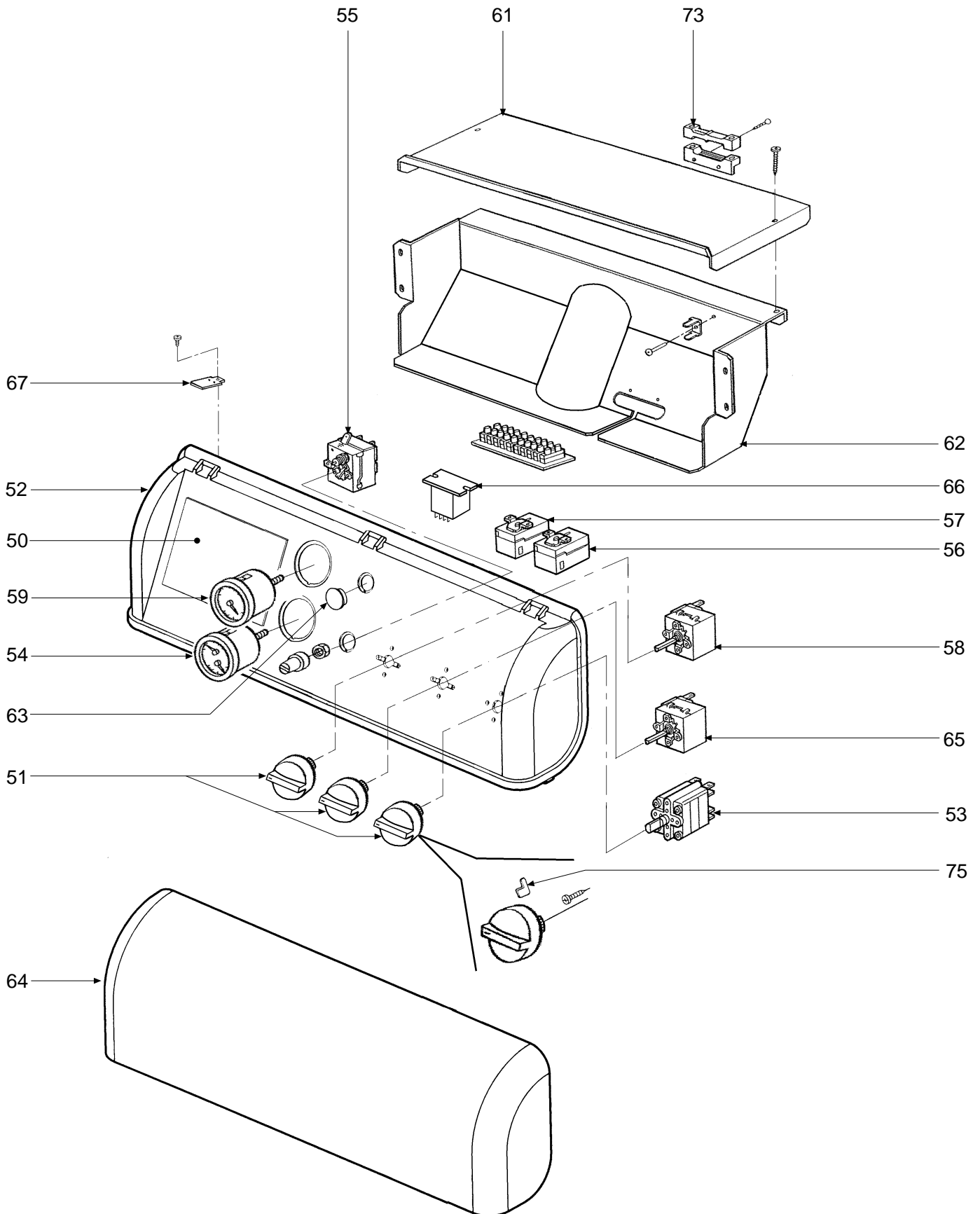
GN1K N

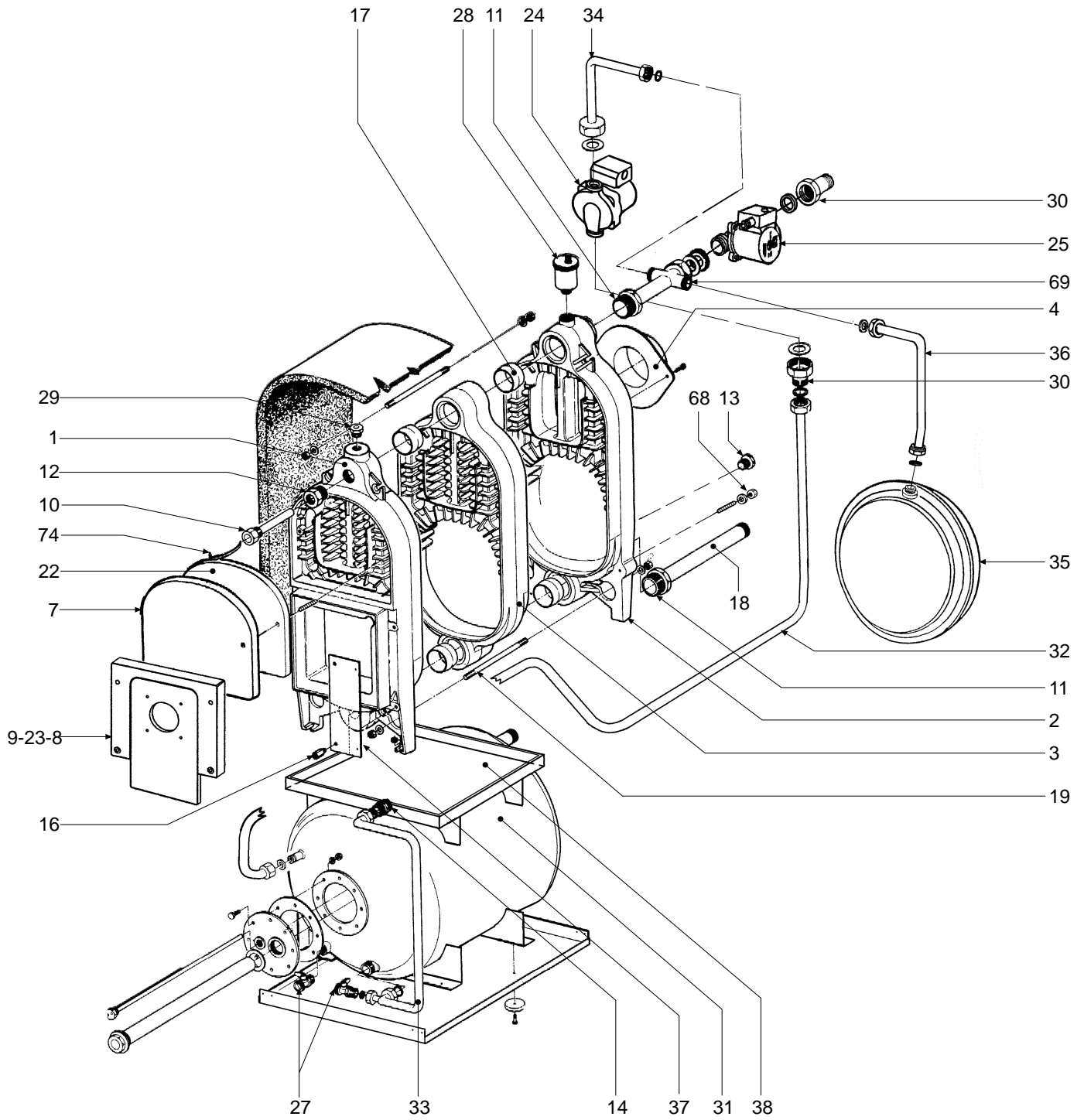
- LISTA PEZZI DI RICAMBIO
- SPARE PART LIST
- ERSATZSTEILE
- LIJST ONDERDELEN
- LISTE PIECES DETACHES
- LISTA PIEZAS DE REPUESTO



CODICE	EDIZIONE	MERCATO	VISTO
30R0562/0	07 - 01	EX







POS.	CODE	DESCRIPTION	2 el.	3 el.	4 el.
1	33004700	Front element, finished	•	•	•
2	33004710	Rear element, finished	•	•	•
3	33004720	Intermediate element, finished	•	•	
4	33100600	Flue reduction collar, Ø 140	•	•	•
7	33202111	Top cleaning door	•	•	•
8	35321380	Inspection door	•	•	•
9	33202820	Burner door, Ø 105 finished	•	•	•
10	33400700	Sheath Lg. 200	•		
10	33400980	Sheath Lg. 250		•	•
11	33600340	1"1/2 to 1" reduction	•	•	•
12	34000600	1" - 1/2 reduction	•	•	•
13	34008810	Male plug , 1/2"	•	•	•
14	34008750	Nipple, 3/4"	•	•	•
16	34011980	Door bracket fixing extension	•	•	•
17	34204000	Cone insert, Ø 58,6	•	•	•
18	34223660	Pipe, 1" x 250			•
18	34223670	Pipe, 1" x 350		•	
18	34223680	Pipe, 1" x 450	•		
19	34400010	Tie rod, M10 x 140	•		
19	34400910	Tie rod, M10 x 340			•
19	34403010	Tie rod, M10 x 250		•	
22	35316342	Cleaning door insulation	•	•	•
23	35321371	Burner door insulation	•	•	•
24	36600590	Pump, WSC NYL 43-25 P-6	•	•	•
25	36601080	Pump, WSC NYL 43-25 P-9	•	•	•
27	36900700	Ball cock, 1/2"	•	•	•
28	36900880	Automatic air valve, 1/2"	•	•	•
29	36901140	Check valve, 1/2" for pressure gauge	•	•	•
30	36901210	Check valve, 1"	•	•	•
31	37704630	100 l. hot water tank, complete	•	•	•
32	38411670	flow pipe between pump and h.w. cylinder	•	•	•
33	38411650	Return pipe between h.w. cylinder and boiler	•	•	•
34	38411660	Flow pipe between boiler and pump	•	•	•
35	36801030	Circular expansion tank, 14 l	•	•	•
36	38412170	Expansion tank connection pipe	•	•	•
37	31211770	Bracket, side panel	•	•	•
38	32914360	Boiler basin	•	•	•
40	37035810	Right side panel, complete	•	•	•
41	37035820	Left side panel, complete	•	•	•
42	37035830	Complete cover	•	•	•
43	37035860	Top front panel, complete	•	•	•
44	37035840	Bottom front panel, complete	•	•	•
45	38514560	Wiring	•	•	•
47	31148090	Top rear wall	•	•	•
48	31000210	Pin coupling spring	•	•	•
49	34000640	Pin for coupling	•	•	•
50	35008010	Control unit hole plug	•	•	•
51	35008000	Control panel instruments knob	•	•	•

POS.	CODICE	DESCRIZIONE	2 el.	3 el.	4 el.
1	33004700	Elemento anteriore finito	•	•	•
2	33004710	Elemento posteriore finito	•	•	•
3	33004720	Elemento intermedio finito		•	•
4	33100600	Collare riduzione camino Ø 140	•	•	•
7	33202111	Porta superiore pulizia	•	•	•
8	35321380	Portellino spia	•	•	•
9	33202820	Porta bruciatore Ø 105 finita	•	•	•
10	33400700	Guaina Lg. 200	•		
10	33400980	Guaina Lg. 250		•	•
11	33600340	Riduzione 1"1/2 - 1"	•	•	•
12	34000600	Riduzione 1" - 1/2	•	•	•
13	34008810	Tappo maschio 1/2"	•	•	•
14	34008750	Nipplo 3/4"	•	•	•
16	34011980	Prolunga fissaggio staffe porta	•	•	•
17	34204000	Bicono Ø 58,6	•	•	•
18	34223660	Tubo Ø 1" x 250			•
18	34223670	Tubo Ø 1" x 350		•	
18	34223680	Tubo Ø 1" x 450	•		
19	34400010	Tirante M10 x 140	•		
19	34400910	Tirante M10 x 340			•
19	34403010	Tirante M10 x 250		•	
22	35316342	Isolante porta pulizia	•	•	•
23	35321371	Isolante porta bruciatore	•	•	•
24	36600590	Pompa WSC NYL 43-25 P-6	•	•	•
25	36601080	Pompa WSC NYL 43-25 P-9	•	•	•
27	36900700	Rubinetto a sfera 1/2"	•	•	•
28	36900880	Valvola automatica sfogo aria 1/2"	•	•	•
29	36901140	Valvola di ritegno 1/2" per manometro	•	•	•
30	36901210	Valvola ritegno 1"	•	•	•
31	37704630	Gruppo boiler 100 lt. completo	•	•	•
32	38411670	Tubazione mandata tra pompa e boiler	•	•	•
33	38411650	Tubazione ritorno tra boiler e caldaia	•	•	•
34	38411660	Tubazione mandata tra caldaia e pompa	•	•	•
35	36801030	Vaso di espansione circolare 14 lt.	•	•	•
36	38412170	Tubazione collegamento vaso espansione	•	•	•
37	31211770	Staffa sostegno fianchi	•	•	•
38	32914360	Bacinella caldaia	•	•	•
40	37035810	Fianco destro completo	•	•	•
41	37035820	Fianco sinistro completo	•	•	•
42	37035830	Coperchio completo	•	•	•
43	37035860	Pannello anteriore superiore completo	•	•	•
44	37035840	Pannello anteriore inferiore completo	•	•	•
45	38514560	Cablaggio	•	•	•
47	31148090	Parete posteriore superiore	•	•	•
48	31000210	Molletta innesto piolini	•	•	•
49	34000640	Piolino per innesto	•	•	•
50	35008010	Tappo copriforo centralina	•	•	•
51	35008000	Manopola strumenti cruscotto	•	•	•

